



SA Series

Products Specification

Application
LED Street Lighting

100W 160W 240W

Our Core Competency

Our patented module is a platform to mount a selected cluster of high power LED with robust mechanical and electrical solutions to deliver superior thermal and optical solutions closest to HID bulbs.

Solutions to address

- Thermal
- Optical
- Electrical
- Mechanical

LED Industrial Applications from 40W to 400W

- Streetlights
- Building Lights
- Sports Venue Lights
- Retrofitting to existing luminaires



FEATURES

- LED modules with patented ceramic heat-sink interface for efficient thermal transfer.
- Customized secondary optics designed to provide the bat-wing light emission pattern to satisfy road illumination requirements.
- Longer LED life time and better LED performance.
- The secondary optics is also designed to produce point source emission, unlike other street lights solution that incorporates multiple point sources.
- High lumen efficacy of 105 lm/W.
- Rugged weather proof luminaire body provides excellent heat dissipation and prevents rust.
- Rugged weather proof luminaire body provides excellent heat dissipation and prevents rust.

The heart of our Solaris LED Light is the patented LED module. This module swiftly dissipates heat from the LED onto the heat sink. It is one of the most efficient thermal solutions, due to its low thermal resistance. This solution maximizes the life of the light engine better than those LED solutions using Metal Core PCB (MCPCB) LED mounting. Coupled with Cree X-Lamp's latest series, this product will provide an excellent and reliable LED lighting with better lumen efficacy.

Our Patented Module

- Utilizes composite thermal materials – best optimal thermal spreading efficiency.
- No Printed Circuit Board (PCB) or Metal Core Printed Circuit Board (MCPCB).
- Simple, compact, adaptable and light.
- Scalable and flexible.
- Construction – a cluster of LED package is placed directly into the module cavity and soldered directly onto its thermal spreader and intermediate heat-sink.
- Choices of external interconnector leads can be selected according to LED types and soldered to power supply.
- Module is also designed as a receptacle for any secondary optics (imaging and non-imaging) to deliver the right radiation pattern on an application.
- Ease of assembly to ultimate lighting fixture e.g. street lights, flood lights...



SA Series

Products Specification

Application
LED Street Lighting

100W 160W 240W

TECHNICAL CONSULTATION

From initial ideas through to detailed plans we are able to supply consultancy as part of our package.

DESIGN

In-house experts providing LED lighting designs work.

MANUFACTURE

- ❖ American R&D with proven technologies.
- ❖ Internationally patented module and lens.
- ❖ No PCB or MCPCB
- ❖ Japanese manufactured module components.
- ❖ Cree Inc. USA - SiC LEDs
- ❖ Patented polycarbonate lens.
- ❖ Complete module assembly in Penang - Malaysia.

Technical Specifications

Model	SA-100W-4	SA-160W-6	SA-240W-9
Lighting Performance			
Color Temp	Warm White - Cool White		
CCT (°K)	2,700 to 7,000		
Lumen Efficacy	95 - 105 lm/W		
HMFW Angle (°)	150 (H) 105 (V)		
Color Rendering Index (CRI)	> 70		
Luminous Flux	10,400 lm	15,600 lm	23,500 lm
Metal Halide Equivalent	150-200 Watts	250 Watts	400 Watts
Lamp Dimension			
Dimension LxWxH (mm)	603 x 243 x 217		
Mounting Pole (mm)	Ø60 max.		
LED Assembly			
LED Package	Cree X-Lamp		
LED Module	Patented Solaris Light Metal Lead Frame (MLF) Module		
Diffuser	High Clarity Polycarbonate Clear Lens (Optional: Frosted)		
No. of PC Lens Cover	1 x	1 x	1 x
No. of LED Modules	4 x	6 x	9 x
Electrical Specification			
Total Power (W)	100W (±10%)	160W (±10%)	240W (±10%)
Input Voltage (VAC)	90-265 VAC @ 50/60 Hz		
Edison Screw	3-Wire connections		
Power Factor	> 0.95		
Operating Temp (°C)	-20 to -40 °C		
Humidity (%)	10% to 90%		
IP Protection	IP 65		
Certifications	RoHs		
Rated Life	40,000 Hours		
Warranty	3 Years (Option for extended warranty)		





SA Series

Products Specification

Application
LED Street Lighting

100W 160W 240W

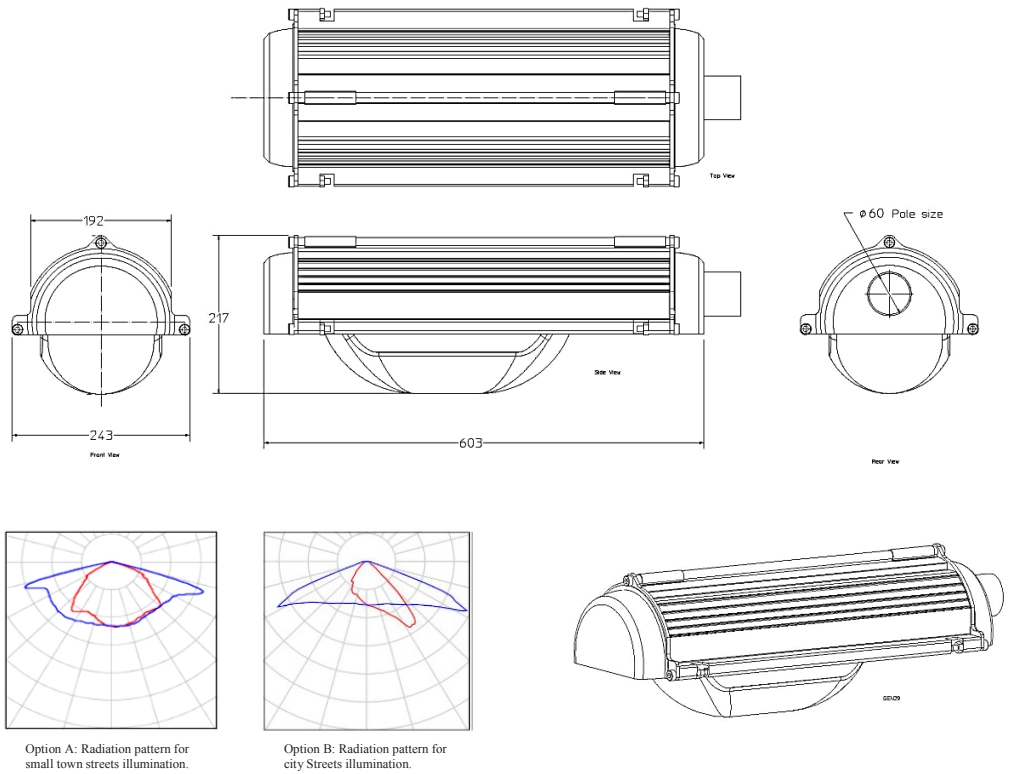
SERVICE AVAILABLE

- Consultation
- Design
- Manufacture
- Installation and Setup
- Maintenance
- Technical Support
- Application Support
- Hardware Support
- Guaranteed Warranty

For more information on any of our products or services please visit us on the Web at:

www.solarislightsg.com

Local Distributor



Contacts

MALAYSIA

Solaris Light (M) Sdn. Bhd.
71-A Kampar Road, 10460
Penang, Malaysia
Phone +604 2823 423
Email tklim@solarislightsg.com
Web www.solarislightsg.com

SINGAPORE

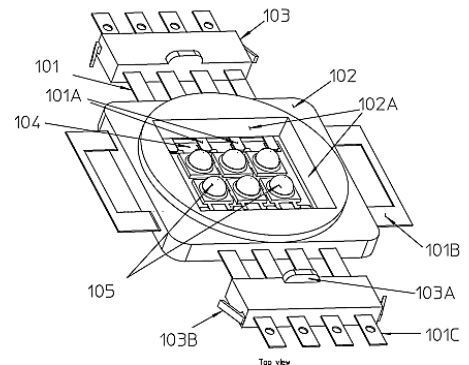
Solaris Light Pte. Ltd.
35 Selegie Road #10-19, Parklane
Shopping Mall, Singapore 188307
Phone +65 6635 3511
Email sales@solarislightsg.com
Web www.solarislightsg.com

USA

3350 Scott Blvd. Bldg. 35 Santa Clara
CA95054, California, USA
Phone +1 408 718 1602
Email john@solarislightsg.com

Condition of sale

All goods supplied are subject to the company's general conditions of sales which are available on request.



Trade Descriptions

All descriptions represent only particulars of goods to which they apply and do not form part of any contract. The company reserves the right to change specification without prior notification or public announcement.

© Copyright 2014
Solaris Light Pte Ltd
All rights reserved